

YC系列电容启动异步电动机 YC SERIES CAPACITOR START INDUCTION MOTOR

机座号: 71~132
工作制: S1

功率: 120~3700W
绝缘等级: F



适用于: 可作为空气压缩机、电冰箱、医疗器械等机械的动力装置。

特点: 启动转矩较大、性能优良、节能省电、结构可靠、通用性强。基本系列电机额定电源为220V/50Hz, 根据需要可提供110V/220V、110V、240V、60Hz等电动机, 可采用铸铝机壳或铸铁机壳。

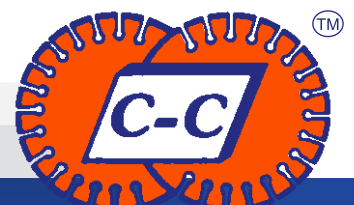
Applications: Air compressors, refrigerator, remedy apparatus and machine tools, etc.

Features: High starting torque, low energy consumption. Cast iron and cast aluminum frames. The basic type is rated at 220V/50HZ. It also can be provided with 110V/220V, 110V, 240V and 60HZ.

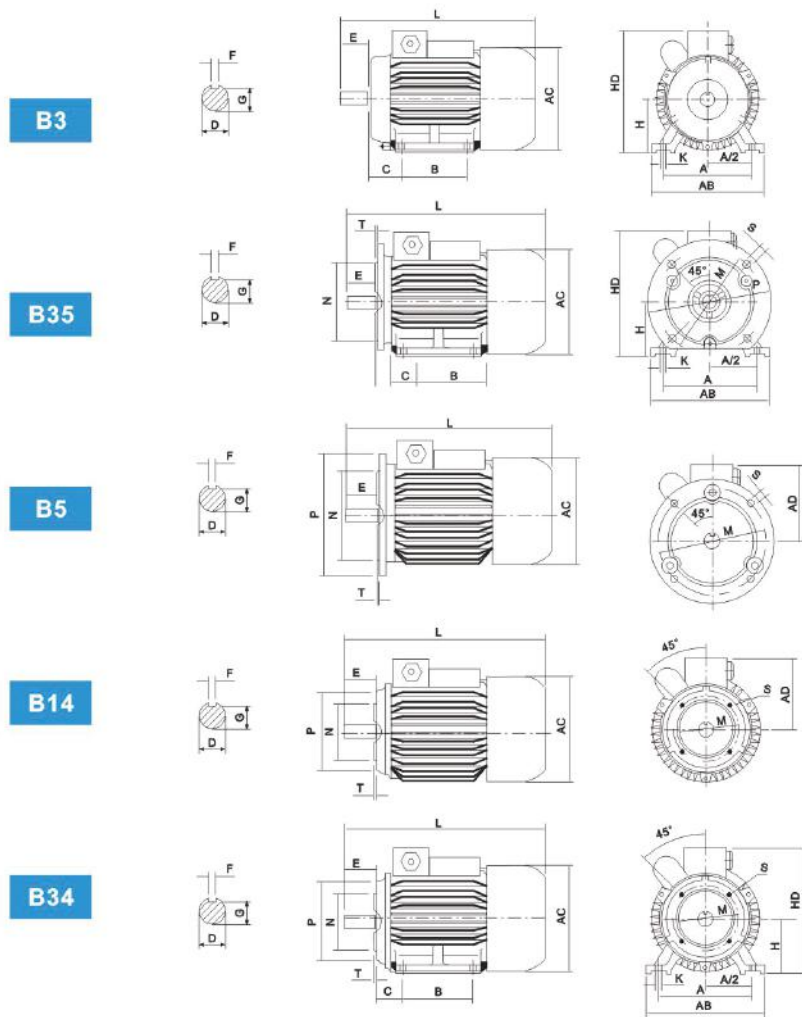
性能数据 PERFORMANCE DATA

220V 50Hz

型号 Type	功率 W	额定电流 Current A	转速 r/min	效率 Eff %	功率因数 Power factor	堵转转矩 额定转矩 Locked rotor torque Rated torque	堵转电流 Locked Rotor Current A
YC711-2	180	1.9	2800	60	0.72	3.0	12
YC712-2	250	2.4	2800	64	0.74	3.0	15
YC711-4	120	1.9	1400	50	0.58	3.0	9
YC712-4	180	2.5	1400	53	0.62	2.8	12
YC801-2	370	3.4	2800	65	0.77	2.8	21
YC802-2	550	4.7	2800	68	0.79	2.8	29
YC801-4	250	3.1	1400	58	0.63	2.8	15
YC802-4	370	4.2	1400	62	0.64	2.5	21
YC90S-2	750	6.1	2800	70	0.80	2.5	37
YC90L-2	1100	8.7	2800	72	0.80	2.5	60
YC90S-4	550	5.5	1400	66	0.69	2.5	29
YC90L-4	750	6.9	1400	68	0.73	2.5	37
YC90S-6	250	4.2	950	54	0.50	2.5	20
YC90L-6	370	5.3	950	58	0.55	2.5	25
YC100L1-2	1500	11.4	2850	74	0.81	2.5	80
YC100L2-2	2200	16.5	2850	75	0.81	2.2	120
YC100L1-4	1100	9.6	1440	71	0.74	2.5	60
YC100L2-4	1500	12.5	1440	73	0.75	2.5	80
YC100L1-6	550	6.9	950	60	0.60	2.5	35
YC100L2-6	750	9.0	950	61	0.62	2.2	45
YC112M-2	3000	21.9	2850	76	0.82	2.2	150
YC112M-4	2200	17.9	1400	74	0.76	2.2	120
YC112M-6	1100	12.2	950	63	0.65	2.2	70
YC132S-2	3700	26.6	2850	77	0.82	2.2	175
YC132S-4	3000	23.6	1400	75	0.77	2.2	150
YC132M-4	3700	28.4	1400	76	0.79	2.2	175
YC132S-6	1500	14.8	950	68	0.68	2.0	90
YC132M-6	2200	20.4	950	70	0.70	2.0	130



外型及安装尺寸 DIMENSIONS(mm)



机座号 Frame	安装尺寸 Mounting Dimension															外形尺寸 Overall Dimension												
	IMB3										IMB14			IMB34		IMB5		IMB35			IMB3							
	A	A/2	B	C	D	E	F	G	H	K	M	N	P	R	S	T	M	N	P	R	S	T	AB	AC	AD	AE	HD	L
71	112	56	90	45	14	30	5	11	71	7	85	70	105	0	M6	2.5	130	110	160	—	10	3.5	145	145	140	95	180	255
80	125	62.5	100	50	19	40	6	15.5	80	10	110	80	120	0	M6	3	165	130	200	0	12	3.5	160	165	150	110	200	295
90S	140	70	100	56	24	50	8	20	90	10	115	95	140	0	M8	3	165	130	200	0	12	3.5	180	185	160	120	220	370
90L	140	70	125	56	24	50	8	20	90	10	115	95	140	0	M8	3	165	130	200	0	12	3.5	180	185	160	120	220	400
100L	160	80	140	63	28	60	8	24	100	12	—	—	—	—	—	—	215	180	250	0	15	4	205	200	180	130	260	430
112M	190	95	140	70	28	60	8	24	112	12	—	—	—	—	—	—	215	180	250	0	15	4	245	250	190	140	300	455
132S	216	108	140	89	38	80	10	33	132	12	—	—	—	—	—	—	265	230	300	0	15	4	280	290	210	155	350	525
132M	216	108	178	89	38	80	10	33	132	12	—	—	—	—	—	—	265	230	300	0	15	4	280	290	210	155	350	565

注: IMB14 IMB34 IMB5 的其余尺寸见“IMB3”栏。

The other dimensions of IMB14, IMB34, IMB5 and IMB5 are the same as those of IMB3.

