

YL系列双值电容异步电动机 YL SERIES TWO-VALUE CAPACITOR INDUCTION MOTOR



机座号: 71~132
防护等级: IP44

功率: 0.25~5.5KW
绝缘等级: F

适用于: 空气压缩机、医疗器械、磨浆机等机械。
特点: 起动性能好, 运行平稳, 通用性强。
额定电压: 220V

Applications: Air compressors, medical instruments and small machine tools, etc.

Features: Outstanding performance of starting and operation low noise, compact dimensions and smooth running.

Rated Voltage: 220V

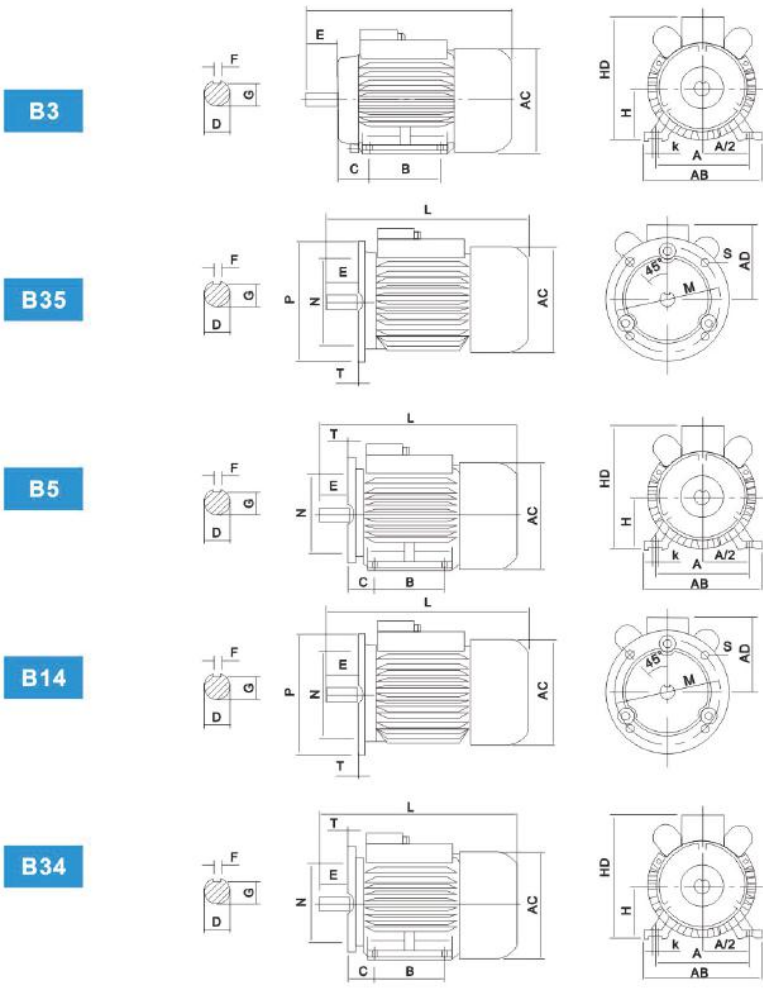
性能数据 PERFORMANCE DATA

220V 50Hz

型号 Type	功率 kW	额定电流 Current A	转速 r/min	效率 Eff %	功率因数 Power factor	堵转转矩 额定转矩 Locked rotor torque Rated torque	堵转电流 Locked Rotor Current A
YL711-2	0.37	2.2	2800	67	0.92	1.8	16
YL712-2	0.55	3.9	2800	70	0.92	1.8	21
YL801-2	0.75	4.9	2800	72	0.95	1.8	29
YL802-2	1.1	7.0	2800	75	0.95	1.8	40
YL90S-2	1.5	9.4	2800	76	0.95	1.7	55
YL90L-2	2.2	13.7	2800	77	0.95	1.7	80
YL100L1-2	3	18.2	2800	79	0.95	1.7	110
YL112M-2	4	26.6	2850	77	0.82	2.2	175
YL711-4	0.25	2.0	1400	62	0.92	1.8	12
YL712-4	0.37	2.8	1400	65	0.92	1.8	16
YL801-4	0.55	4.0	1400	68	0.92	1.8	21
YL802-4	0.75	5.1	1400	71	0.92	1.8	29
YL90-4	1.1	7.3	1400	73	0.95	1.7	40
YL90-4	1.5	9.7	1400	75	0.95	1.7	55
YL100L1-4	2.2	13.9	1400	76	0.95	1.7	80
YL112M-4	3	18.6	1400	77	0.95	1.7	110
YL132S-4	4	27.1	1400	78	0.77	2.2	175
YL132M-4	5.5	31.2	1400	78	0.79	2.2	200



外型及安装尺寸 DIMENSIONS(mm)



机座号 Frame	安装尺寸 Mounting Dimension																			外形尺寸 Overall Dimension							
	IMB3									IMB14			IMB34			IMB5			IMB35			IMB3					
	A	B	C	D	E	F	G	H	K	M	N	P	R	S	T	M	N	P	R	S	T	AB	AC	AD	AE	HD	L
71	112	90	45	14	30	5	11	71	7	85	70	105	0	M6	2.5	130	110	160	—	10	3.5	145	145	140	95	180	255
80	125	100	50	19	40	6	15.5	80	10	110	80	120	0	M6	3	165	130	200	0	12	3.5	180	165	150	110	200	295
90S	140	100	56	24	50	8	20	90	10	115	95	140	0	M8	3	165	130	200	0	12	3.5	180	185	160	120	220	370
90L	140	125	56	24	50	8	20	90	10	115	95	140	0	M8	3	165	130	200	0	12	3.5	180	185	160	120	220	400
100L	160	140	63	28	60	8	24	100	12	—	—	—	—	—	—	215	180	250	0	15	4	205	200	180	130	260	430
112M	190	140	70	28	60	8	24	112	12	—	—	—	—	—	—	215	180	250	0	15	4	245	250	190	140	300	455
132S	216	140	89	38	80	10	33	132	12	—	—	—	—	—	—	265	230	300	0	15	4	280	290	210	155	350	525
132M	216	178	89	38	80	10	33	132	12	—	—	—	—	—	—	265	230	300	0	15	4	280	290	210	155	350	565

注: IMB14 IMB34 IMB5 的其余尺寸见“IMB3”栏。

The other dimensions of IMB14, IMB34, IMB5 and IMB35 are the same as those of IMB3.

